

BLOLITE™ DUCT CONNECTOR (STRAIGHT)

This plastic-bodied pneumatic connector is suitable for joining Microduct of the same size. Connectors are available in 5mm or 8mm OD sizes. Maximum operating pressure is 140 PSI. The connectors are constructed of a transparent plastic material permitting a visual verification of fiber population. They are installed onto the Microduct with a simple push-pull technique.

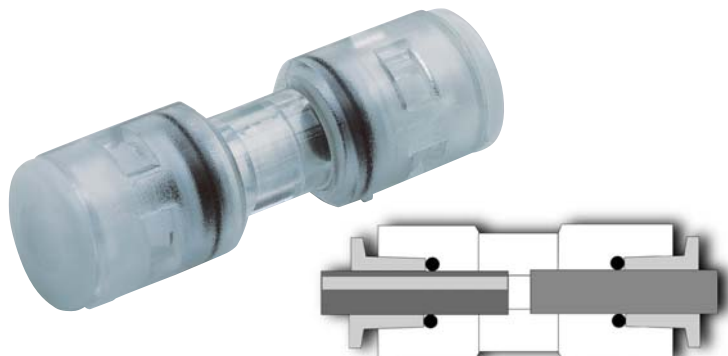


ORDERING INFORMATION

PART NUMBER	DESCRIPTION
77-7224	Straight connector for 5mm Blolite indoor or outdoor Microduct
77-7225	Straight connector for 8mm Blolite indoor or outdoor Microduct

NOTES

1. When purchasing these connectors for installing on the ends of tubes that will not be immediately connected, it is recommended that a duct connector plug be installed to prevent the penetration of moisture or contamination.
2. To ensure correct sealing, a purpose-built duct cutter should be used.



BLOLITE™ DUCT CONNECTOR (TEE)

This plastic-bodied pneumatic connector is suitable for joining Microduct of the same size. The additional port allows for gas-blocking in internal/external situations. Connectors are available in 5mm or 8mm OD sizes. Maximum operating pressure is 140 PSI. They are installed onto the Microduct with a simple push-pull technique.

ORDERING INFORMATION

PART NUMBER	DESCRIPTION
77-7228	Three port connector for 5mm Blolite indoor or outdoor Microduct
77-7229	Transparent three port connector for 8mm Blolite indoor or outdoor Microduct

NOTES

1. When purchasing these connectors for installing on the ends of tubes that will not be immediately connected, it is recommended that a duct connector plug be installed to prevent the penetration of moisture or contamination.
2. To ensure correct sealing, a purpose-built duct cutter should be used.



BLOLITE™ DUCT CONNECTOR PLUGS and END CAPS

Plastic duct connector plugs fit snugly into Blolite duct connectors and together these components provide a semi-permanent method of sealing installed, unused tubes. Using a simple push-pull technique, plugs can be easily installed or removed from duct connectors as needed over the lifetime of the installation.

Blolite plastic end caps fit directly onto individual Microducts to provide a temporary means of sealing Microducts during shipment, storage and installation.

All empty Microducts should be sealed with the appropriate sized duct connectors or end caps at all times to prevent the penetration of moisture or contamination, maintaining Microduct integrity prior to, during and after installation.

ORDERING INFORMATION

PART NUMBER	DESCRIPTION
77-7230	duct connector plug, 5mm
77-7231	duct connector plug, 8mm
77-7223	end cap, 5mm
77-7222	end cap, 8mm



4 Tesseneer Drive
Highland Heights, KY 41076-9753
Phone: 1-800-371-2178
Fax: 1-859-572-8530
www.blolite.net



A GenStone and General Cable Joint Venture Company